

This product is completed the lead-free and RoHS.



DATA SHEET

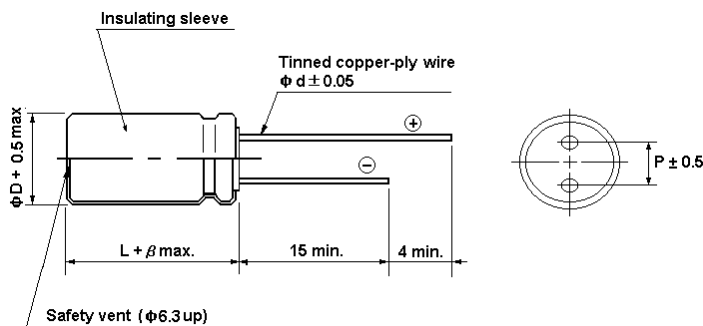


SAMWHA ELECTRIC CO., LTD.

Aluminum Electrolytic Capacitors

Date : 2017. 10. 10.
 Ident-No : SC-ARE2585
 Part No : RD 1J 477 M 12020 PH

Dimensions



ΦD	12.5
L	20
P	5.0
Φd	0.6
β	2.0

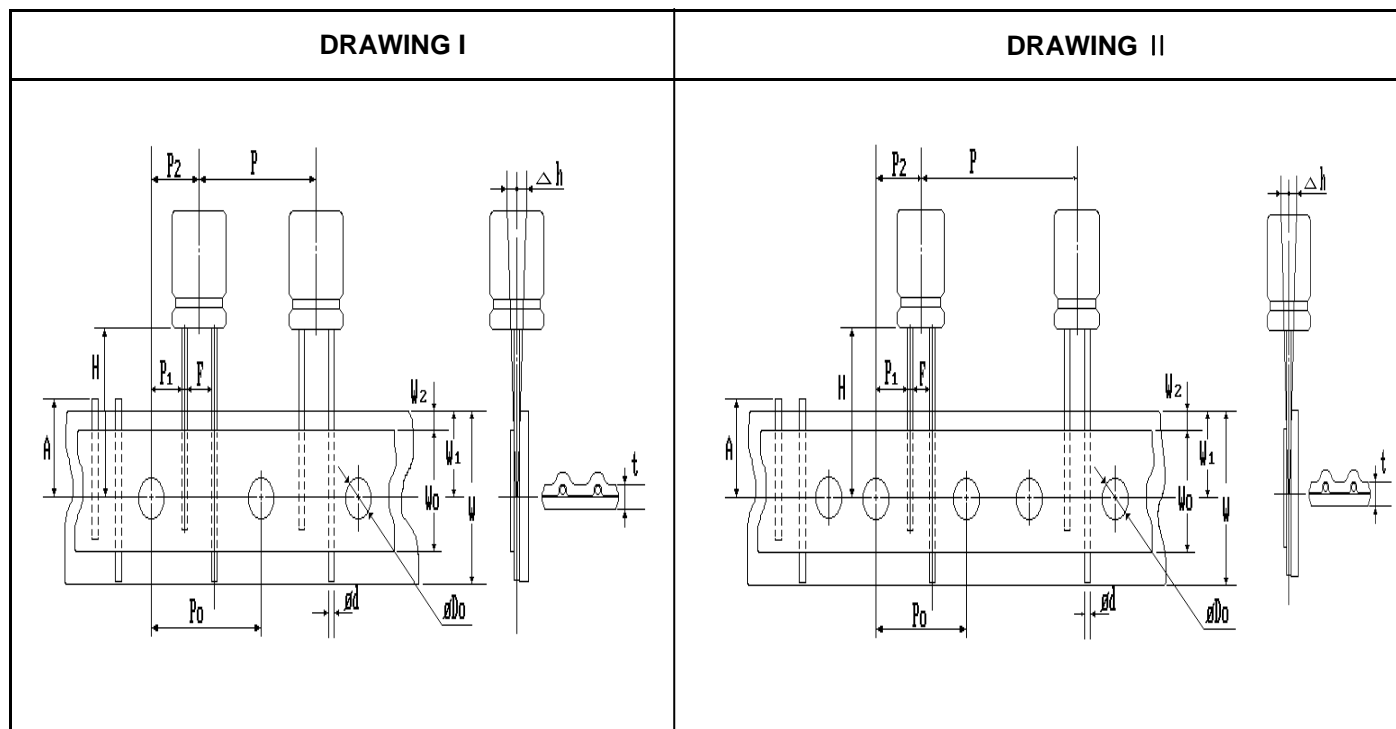
Dimensions of ΦD & L

Capacitance at 120Hz, 20 °C	470 μF
Tolerance at 120Hz, 20 °C	± 20 %
Rated Voltage	63 V
Surge Voltage	79 V
Ripple current at 120Hz, 105 °C	844 mA rms
Leakage current after 2 minute	296.1 μA
Dissipation factor (tan δ) at 120Hz , 20 °C	0.10
Equivalent series resistance(E.S.R) at 120Hz , 20 °C	0.28 Ω
Temperature range	-55 ~ +105 °C
Load life at 105 °C	2000 hours
Shelf life at 105 °C	1000 hours

Approved

K. C. Eom *k. c. Eom*

Technical team manager



Unit : mm

Applicable drawing No.			I	I	II	II	
Description	Symbol	Tolerance	Φ10	Φ12.5		Φ16	Φ18
Lead dia.	Φd	±0.05	0.6	0.6		0.8	0.8
Body pitch	P	±1.0	12.7	15.0	25.4	30.0	30.0
Feeding hole pitch	Po	±0.2	12.7	15.0	12.7	15.0	15.0
Feeding hole alignment	P1	±0.7	3.85	5.0	3.85	3.75	3.75
Feeding hole alignment	P2	±1.0	6.35	7.5	6.35	7.5	7.5
Lead center spacing	F	+0.6/-0.2	5.0	5.0		7.5	7.5
Body inclination	ΔH	±2.0	0	0		0	0
Tape width	W	±0.5	18.0	18.0		18.0	18.0
Adhesive tape width	Wo	min.	12.5	12.5		12.5	12.5
Feeding hole alignment	W1	±0.5	9.0	9.0		9.0	9.0
Adhesive tape margin	W2	max.	2.0	2.0		2.0	2.0
Length from seating plane	H	±0.5	18.5	18.5		18.5	18.5
Feeding hole dia.	ΦDo	±0.2	4.0	4.0		4.0	4.0
Total tape thickness	t	±0.2	0.6	0.7		0.7	0.7
Cut lead height	A	max.	11.0	11.0		11.0	11.0
Taping Code	Ammo	⊕ leader	PA	PH	PL	PA	PA

Aluminum Electrolytic Capacitor

Taping dimension