

This product is completed the lead-free and RoHS.



# DATA SHEET

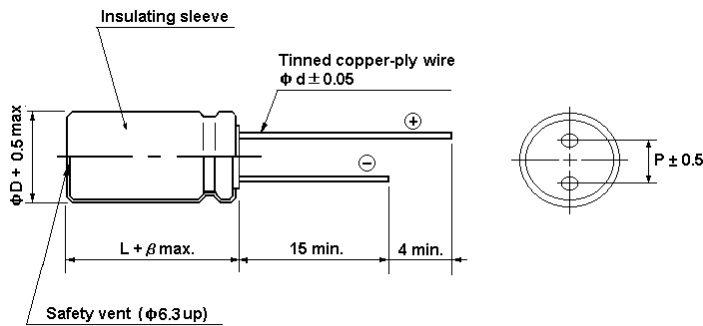


**SAMWHA ELECTRIC CO., LTD.**

## Aluminum Electrolytic Capacitors

Date : 2018. 05. 08.  
 Ident-No : SC-ARF1255  
 Part No : RD 1A 477 M 6L011 PC

### Dimensions



ΦD	6.3
L	11
P	2.5
Φd	0.5
β	1.5

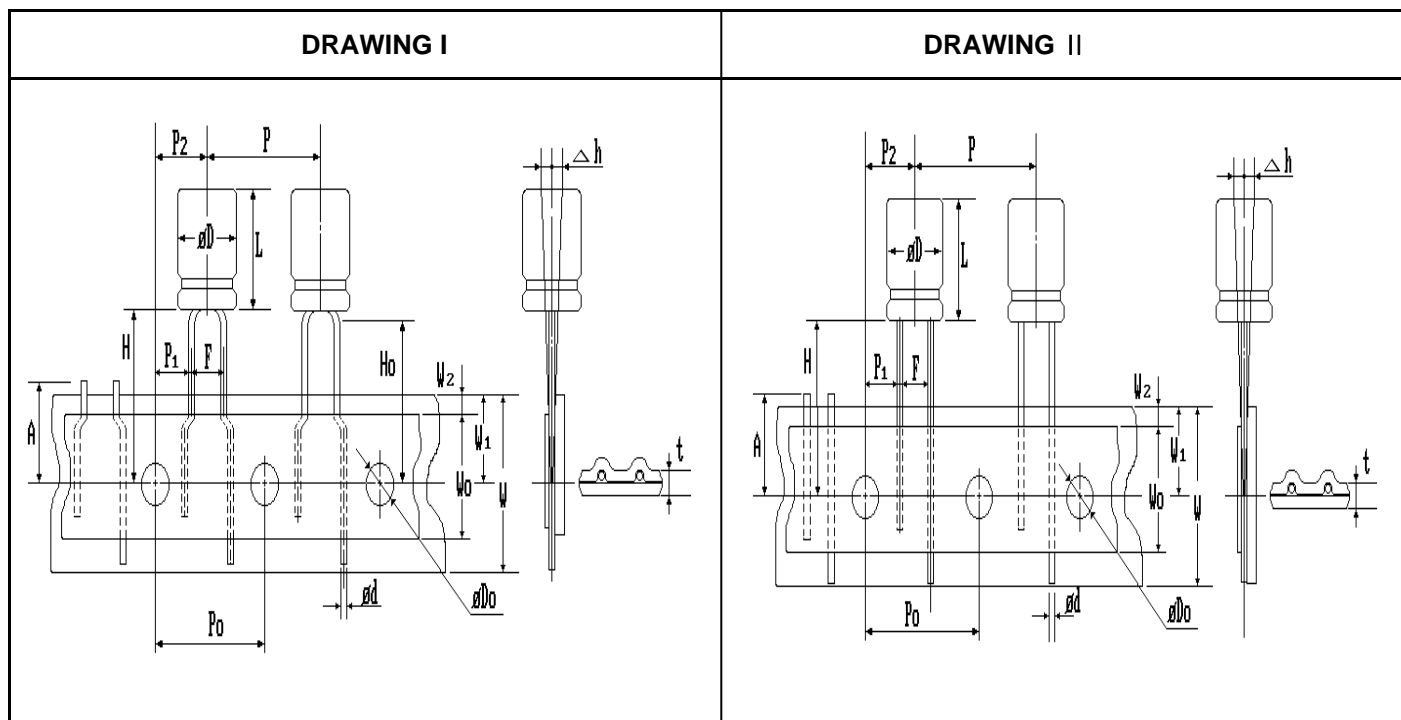
*Dimensions of ΦD & L*

Capacitance at 120Hz, 20 °C	470 μF
Tolerance at 120Hz, 20 °C	±20 %
Rated Voltage	10 V
Surge Voltage	13 V
Ripple current at 120Hz, 105 °C	272 mA rms
Leakage current after 2 minute	47.0 μA
Dissipation factor (tanδ) at 120Hz, 20 °C	0.24
Equivalent series resistance(E.S.R) at 120Hz, 20 °C	0.68 Ω
Temperature range	-55 ~ +105 °C
Load life at 105 °C	1000 hours
Shelf life at 105 °C	1000 hours

Approved

K. C. Eom *k. c. Eom*

Technical team manager



### ■ Dimensions

Unit : mm

Applicable drawing No.			I		II		
Description	Symbol	Tolerance	Φ4	Φ5		Φ6.3	
Body height	L	<b>*Note</b>	5, 7	5	7, 11	5	7, 11
Lead dia.	Φd	±0.05	0.45	0.45	0.5	0.45	0.5
Body pitch	P	±1.0	12.7		12.7		
Feeding hole pitch	Po	±0.2	12.7		12.7		
Feeding hole alignment	P1	±0.7	5.1		5.1		
Feeding hole alignment	P2	±1.0	6.35		6.35		
Lead center spacing	F	+0.6/-0.2	2.5		2.5		
Body inclination	Δh	±2.0	0		0		
Tape width	W	±0.5	18.0		18.0		
Adhesive tape width	Wo	min.	9.5		9.5		
Feeding hole alignment	W1	±0.5	9.0		9.0		
Adhesive tape margin	W2	max.	2.0		2.0		
Length from seating plane	H	±0.5	18.0		17.5		
Lead clinch height	Ho	±0.5	17.0		-		
Feeding hole dia.	ΦDo	±0.2	4.0		4.0		
Total tape thickness	t	±0.2	0.6		0.6		
Cut lead height	A	max.	11.0		11.0		
Taping Code	Ammo	⊕ leader	PC				

**\*Note** : Refer to the drawing of each series for tolerance.

**Aluminum Electrolytic Capacitor**

**Taping dimension**